



SMART DR[®] 13
Auto Digitalized Refractor



Wide Range of Measurement

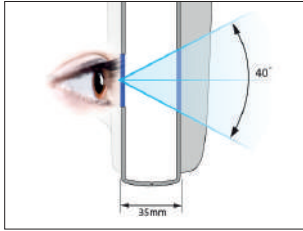
Systematic optometry is able using Spherical lens ranging from $-29.00D$ to $+26.75D$ and Cylinder lens ranging from 0 to $\pm 8.75D$. 0.1Δ of delicate and precise increment of rotary prism that goes up to 20Δ and automatic open/close feature assures heterophoria can be measured accurately.



Bluetooth

Bluetooth network allows the Medizs Smart Series users to handle all the optometry process with one single application. Users can control the chart and phoropter with a Smart Pad (Android and iOS) and all the data are sent to the application for effective and efficient test. We try our best to reflect our valued customers' demand through continuous updates in order to provide the most comfortable environment.

SMART DR-13 provides accurate and convenient vision test



Wide Viewing Angle

Slimmer body thickness allows patients to enjoy 40° of wide viewing angle.



Compatible Control

Both Digital/Manual Phoropter mode and vision test chart, LED visual chart, and unit table can be controlled in one screen. The total refraction time is reduced significantly.
/ Patent No. KR10-1390286



Manual Operation Mode

Manual Operation Mode provides full practical experience to users who are familiar with manual phoropter.
/ Patent No. KR10-1390287



Monocular Test/ Test Window Open/Close Function

The monocular test and one-touch automatic Test window Open/Close functions are useful for astigmatism test and increased visibility helps to check the data immediately.



Automatic Convergence

Automatic convergence function allows the patient to gaze at the center of the lens during the presbyopia and near vision test. This function assures accurate test result for the user.
Near Working Distance : 30~70cm
Near PD : 46 ~75mm



Efficient Customer Management

The patient's measurement data and personal information can be emailed and printed via Wi-Fi. It allows the best service and efficient customer management.

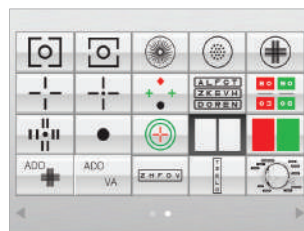


Use of the Auxiliary Lens

The refraction time is reduced significantly with the one-touch using of the auxiliary lens and test window open/close function.

Dual Cross Cylinder

Precise and easy testing of astigmatic test is assured by using Jackson Cross Cylinder and Dual Cross Cylinder.

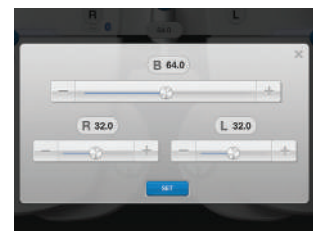


Various Vision Test Charts

A comprehensive range of optotypes and tests provides various measurements on the individual preference.

Various Heterophoria Testing Method

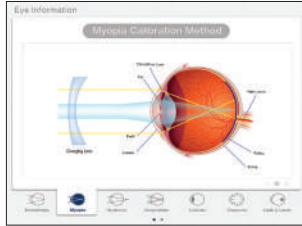
Various heterophoria testing methods, such as Von Graefe, Schover, Maddox Rod, and Polar Cross, are supported.



One Step PD meter Control

Adjustment of Binocular and Monocular can be controlled on the same sequence. PD adjustment can be easy and fast. Convenient testing is available since both PD value and each eye's PD value can be checked by using our application.

DR-13 Specifications



Information about Eye Care

Educational pages are useful to explain symptoms, causes, or treatment for the eye care such as refraction errors (astigmatism /myopia/hyperopia), cataract, and glaucoma.



Feedback LED Lighting

Different colors are presented in various situations thanks to the forehead rest's built-in sensor. This feature assures the correct posture of the patient and also indicates the type of the test mode. It can also help to set up an elegant atmosphere.



Near Vision LED Illumination

LED illumination from the body helps patients to recognize the near vision chart clearly even in dark refraction room.

Measuring Range

Spherical Lens	-29.00 ~ +26.75D [0.12/0.25/0.5/1/2/3D increments] -19.00 ~ +16.75D [Cross Cylinder, Prism]
Cylinder Lens	0 ~ ±8.75D [0.25/0.5/1/2/3D increments]
Cylinder Axis	0 to 180° [1/5/15/30/45° increments]
PD	48 ~ 80mm [In distance mode 0.5 / 1mm increments] Near PD 46 ~ 75mm [Near working distance: 30-70cm]
Rotary Prism	0 ~ 20Δ [0.1/0.2/0.5/1/2Δ increments]
Cross Cylinder Lens	±0.25D, ±0.50D, ±0.25 Dual Cross Cylinder Lens
Retinoscope	+1.5, +2.0D

Auxiliary Lenses

Pin Hole Lens	ø2mm
Maddox Rod	Right eye [Red, Horizontal], Left eye [Red, Vertical]
Red / Green Filter	Right eye [Red], Left eye [Green]
Polarizing Filter	Right eye: 135 / 45°, Left eye: 45 / 135°
Split Prism	Right eye: 6ΔBU, Left eye: 10ΔBI
Fixed Cross Cylinder	±0.50D [Fixed with the Axis set at 90°]

Visual Field

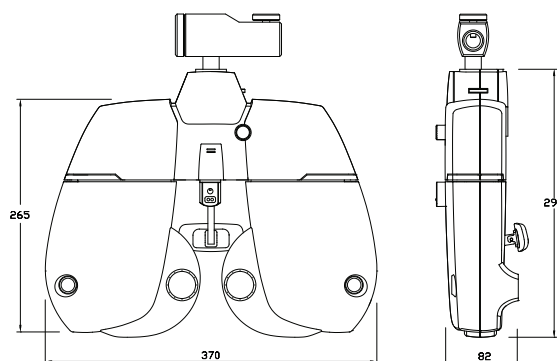
40° [at VD: 12mm]

Dimensions

Main Body	370[W] X 82[D] X 299/358 with bracket[H]mm / 4kg [8.81lbs]
Junction Box	92[W] X 32[D] X 61[H]mm / 500g [1.1lbs]
Power Supply	AC100 ~ 240V, 50/60Hz [Free Voltage]
Power Consumption	130VA

Controller

Smart Pad	iOS, Android provided
Interface	Bluetooth



Above specification and design may be altered without notice.



MEDIZS Inc.

TEL. +82,42,933,5531 / FAX. +82,42,933,5525
94-10, Techno 2-ro, Yuseong-gu, Daejeon, S.Korea, 305-509
Email : medizs@medizs.com

MEDIZS USA, Inc.

TEL. +1,310-212-3444 / FAX. +1,310-212-3446
2441 W, 205th Street Suite C204 Torrance, CA 90503
Email : support@medizs.com

DISTRIBUTED by.

A large, empty rectangular box with rounded corners and a thin black border, intended for the name of the distributor.